

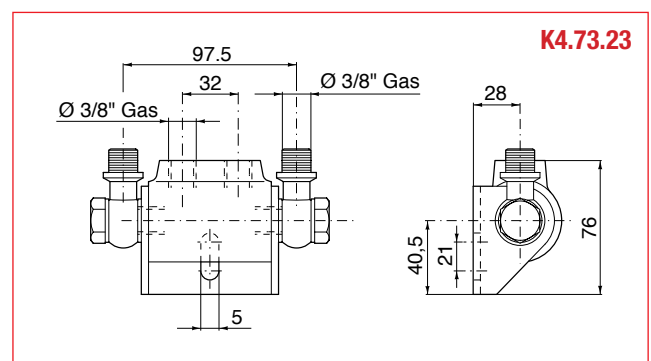
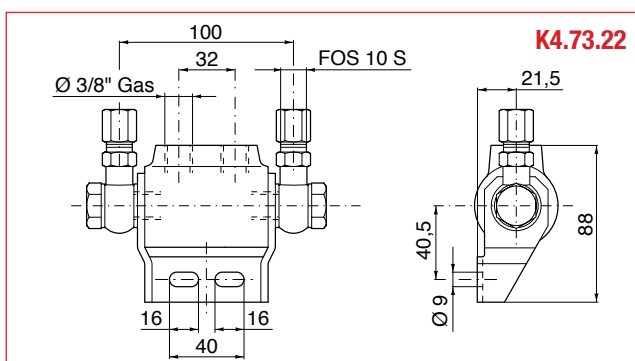
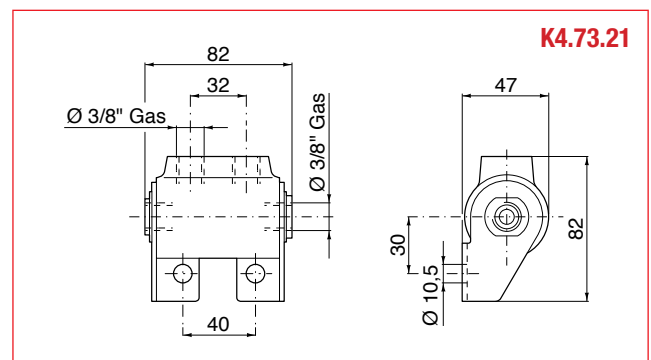
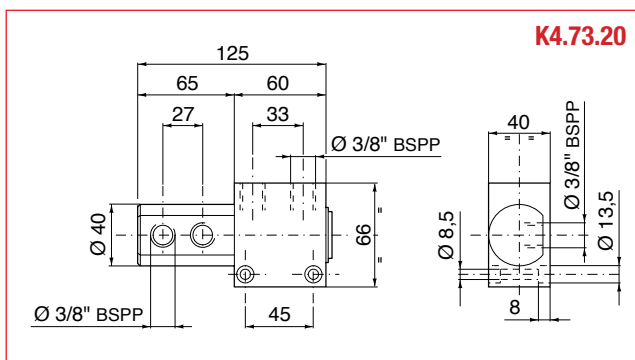
## Redashe Two Way Hydraulic Hose Reels

### HYDRAULIC APPLICATIONS

The hydraulic hose reels are applicable in cases where it is necessary to send oil, through flexible hoses, from a machine at a standstill to another moving machine. The rewinding process is performed with a returning spring. The revolving body is constructed of a GS 500 iron casting and mounted onto a surface hardened steel shaft. The component parts all undergo both a pressure test and an overall inspection. Standard colour: Black. The hydraulic hose reels are recommended for fork-lift trucks, hydraulic cranes, and so on. Recommended hoses SAE 100 R7, SAE 100 R8, T1DB. The hydraulic hose reels are manufactured according to the rules referring to "ISO 9003 Quality Warranty" and are accompanied by the EC certification required by the "Machine Directive".



## Rotating Joints



## Redashe Two Way Hydraulic Hose Reels

HYDRAULIC APPLICATIONS

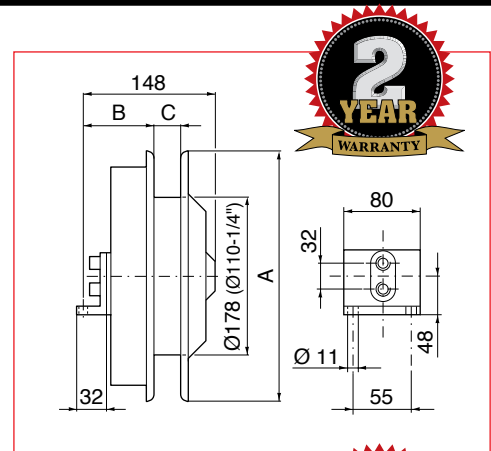
### FC Series

FOR HOSE FRONTAL  
ATTACHMENT

	Ø <sup>3</sup> / <sub>16</sub> "	Ø <sup>1</sup> / <sub>4</sub> "	Ø <sup>5</sup> / <sub>16</sub> "	Ø <sup>3</sup> / <sub>8</sub> "
C	20	30	33	40

Model	Dimensions						Weight Kg
	A	B	Max. reel length (mm) and connections				
	Ømm	mm	Ø <sup>3</sup> / <sub>16</sub> "	Ø <sup>1</sup> / <sub>4</sub> "	Ø <sup>5</sup> / <sub>16</sub> "	Ø <sup>3</sup> / <sub>8</sub> "	
*KH4.070.001	200	65	2200	2000	-	-	8
*KH4.070.002	270	65	-	4000	3000	2500	9.5
*KH4.070.003	300	65	-	6000	4200	3500	10.5
*KH4.070.004	325	65	-	7000	5000	4500	13.5
*KH4.070.005	385	65	-	9000	6600	6000	14.5

\* For use with hoses with bonded seal eye and washer connections

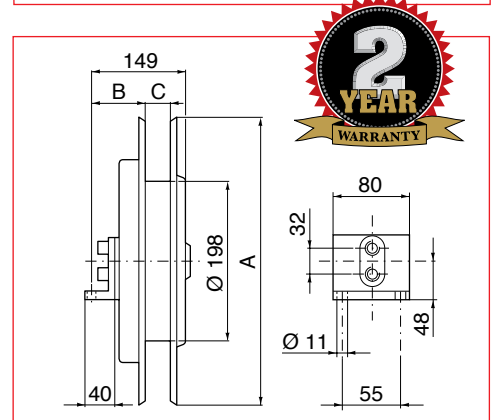


### FM Series

FOR HOSE FRONTAL  
ATTACHMENT

	Ø <sup>3</sup> / <sub>16</sub> "	Ø <sup>1</sup> / <sub>4</sub> "	Ø <sup>5</sup> / <sub>16</sub> "	Ø <sup>3</sup> / <sub>8</sub> "
C	20	30	33	40

Model	Dimensions						Weight Kg
	A	B	Max. reel length (mm) and connections				
	Ømm	mm	-	Ø <sup>1</sup> / <sub>4</sub> "	Ø <sup>5</sup> / <sub>16</sub> "	Ø <sup>3</sup> / <sub>8</sub> "	
KH4.071.001	325	70	-	5000	4200	4000	15
KH4.071.002	385	70	-	7000	6600	6000	16
KH4.071.003	400	70	-	7500	7000	6500	16.5
KH4.071.004	420	70	-	8500	8000	7500	17
KH4.071.005	470	70	-	9000	9000	9000	18



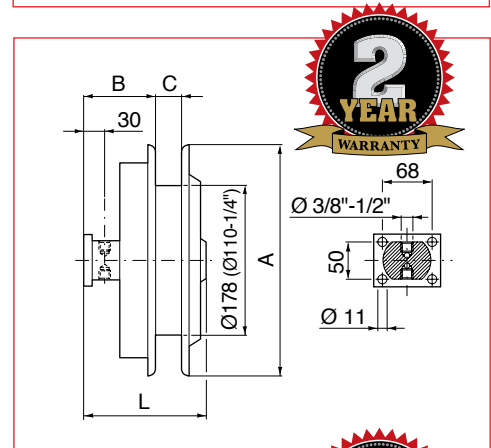
### MC Series

FOR HOSE RADIAL  
ATTACHMENT

	Ø <sup>3</sup> / <sub>16</sub> "	Ø <sup>1</sup> / <sub>4</sub> "	Ø <sup>5</sup> / <sub>16</sub> "	Ø <sup>3</sup> / <sub>8</sub> "
C	20	30	33	40
L	152	152	160	160

Model	Dimensions						Weight Kg
	A	B	Max. reel length (mm) and connections				
	Ømm	mm	Ø <sup>3</sup> / <sub>16</sub> "	Ø <sup>1</sup> / <sub>4</sub> "	Ø <sup>5</sup> / <sub>16</sub> "	Ø <sup>3</sup> / <sub>8</sub> "	
*KH4.073.001	200	65	2200	2000	-	-	5
*KH4.073.002	270	65	-	4000	3000	2500	10
*KH4.073.003	300	65	-	6000	4200	3500	11
*KH4.073.004	325	65	-	7000	5000	4500	14
*KH4.073.005	385	65	-	9000	6600	6000	15

\* For use with hoses with bonded seal eye and washer connections



### M Series

FOR HOSE RADIAL  
ATTACHMENT

	Ø <sup>1</sup> / <sub>4</sub> "	Ø <sup>5</sup> / <sub>16</sub> "	Ø <sup>3</sup> / <sub>8</sub> "	Ø <sup>1</sup> / <sub>2</sub> "
C	20	33	40	50
L	167	167	167	181

Model	Dimensions						Weight Kg
	A	B	Max. reel length (mm) and connections				
	Ømm	mm	Ø <sup>1</sup> / <sub>4</sub> "	Ø <sup>5</sup> / <sub>16</sub> "	Ø <sup>3</sup> / <sub>8</sub> "	Ø <sup>1</sup> / <sub>2</sub> "	
KH4.074.001	325	80	5000	4200	4000	3000	16
KH4.074.002	385	80	7000	6600	6000	3800	17
KH4.074.003	400	80	7500	7000	6500	4500	17.5
KH4.074.004	420	80	8500	8000	7500	5500	18
KH4.074.005	470	80	9000	9000	9000	6500	19

