

LEVERGUN

K40(400gram) and K45(450gram)

INSTRUCTION MANUAL

INTRODUCTION

Thank you for purchasing a Macnaught lever action grease gun.

Please read and retain this instruction sheet to assist you in the operation and maintenance of this quality product.

DESCRIPTION

Your Macnaught levergun is a high quality lever action grease gun engineered for durability and high pressure greasing.

The K40 is designed for use with 400g Cartridges and bulk grease. K45 is designed for use with 450g cartridges and bulk grease. The filler/bleeder valve in the head also allows clean filling from 20kg (35lb) grease pails using a Macnaught "J2" Grease Filler Pump.

A wide range of Macnaught greasing accessories including Flexible Extensions, Needle Point Couplers, Adaptors and Button Head Couplers are available from your Macnaught dealer.

INFORMATION

This manual assists you in operating and maintaining your new Levergun. The information contained will help you ensure many years of dependable performance and trouble free operation. Please take a few moments to read through this manual before operating or carrying out maintenance on your Levergun. If you experience problems with the product, refer to the Trouble Shooting section of this manual. If you require further assistance please contact your local Macnaught distributor, or Authorised Macnaught Service Centre.



CAUTION

Caution must be observed when either unscrewing the barrel or unscrewing the pull handle from the follower rod, the large follower spring inside the barrel is energised.

SELECT FOLLOWER POSITION

Note:

Refer to Fig 1 for correct follower position for the K45
Refer to Fig 2 for correct follower position for the K40



Your K45 (450g) Flexigun is equipped with a two position follower so you can use either cartridge or bulk grease with minimum grease by-passing the follower. The Follower is factory pre-set in the cartridge position (see Fig 1), for all countries except South Africa.

How to select Follower position (K45 only)

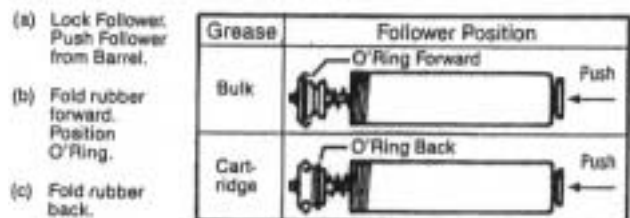


Fig 1

How to select Follower position (K40 only)

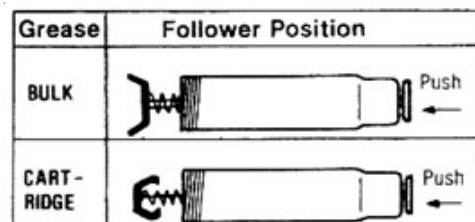


Fig 2

1. Loading Gun with Grease

If Using Cartridge Grease:

- A) Unscrew Barrel and "Lock" Follower (see Fig 5).

- B) Pull Follower Rod out until groove in rod can be moved into slot in Barrel End Cap. Lock the rod into end cap.
- C) Remove both caps from cartridge. Insert into Barrel, larger open end first. Screw Barrel to head tightly.
- D) Bleed air from grease (see Fig 6)



Fig 3



Fig 4

If Using Bulk Grease:

- A) Unscrew Barrel and lock Follower (see Fig 5).
- B) Insert Barrel into grease and slowly pull Follower Rod out while pushing Barrel further into grease (see Fig 3).
- C) When groove in rod lines up with slot in end cap, lock rod in end cap.
- D) Wipe excess grease from outside of Barrel then screw Barrel to head tightly.
- E) Bleed air from grease (see Fig 6).

If Using J2 filler Pump:

- A) "Lock" Follower to Follower Rod (see Fig 5).
- B) Push Filler/Bleeder Valve into J2 Pump outlet (see fig 4).
- C) Hold Levergun and pump J2 handle. The Follower Rod will slowly move out the end of the barrel because the Follower is "locked" to the rod.
- D) Stop pumping when groove in Follower Rod is visible. Overfilling can cause grease to by-pass the Follower.
- E) Bleed air from grease (see Fig 6).

2. How To "Lock the Follower

There is a slot in the front face plate of the Follower Assembly. The Follower Rod has a matching lug which allows the Rod to be "locked" to the Follower so force can be applied to the Follower to expel any air pockets in the grease.

To "lock" the Follower, align the Follower Rod lug and Follower slot. Pull the Rod back then turn through 90 deg.

Fig 5



UNLOCKED LUGS
PARRALLEL TO SLOT



LOCKED LUGS
90 DEG TO SLOT

3. To Bleed Air From Grease

Normally there is no need to bleed air through the Filler/ Bleeder Valve. The gun will self bleed by pumping the handle 5 to 10 times.

After each reload of grease:

- A) Release the Follower Rod from the End Cap.
 - B) Gently push and turn the rod until it goes fully into the barrel.
- Pump the handle until grease appears at the coupler (usually 5 to 10 times is sufficient).

If the grease is thick, cold or "tacky", or an air-lock is present, you will need to be bleed the gun as follows :

Force air out through the Filler/Bleeder valve:

Important:- Follower must be "locked" to rod (see Fig 5).

- A) Release Follower Rod From slot in end cap.
- B) Bleed the air by depressing the ball in the filler bleeder valve (see Fig 6).

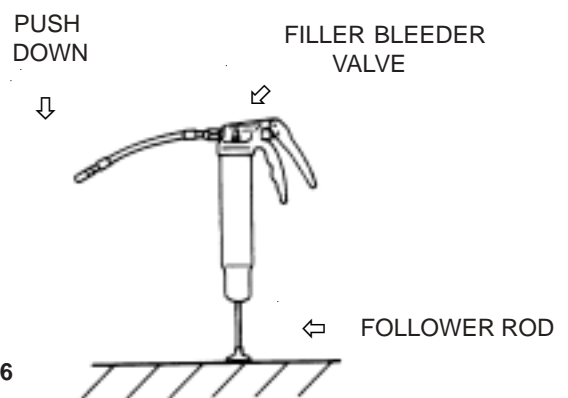
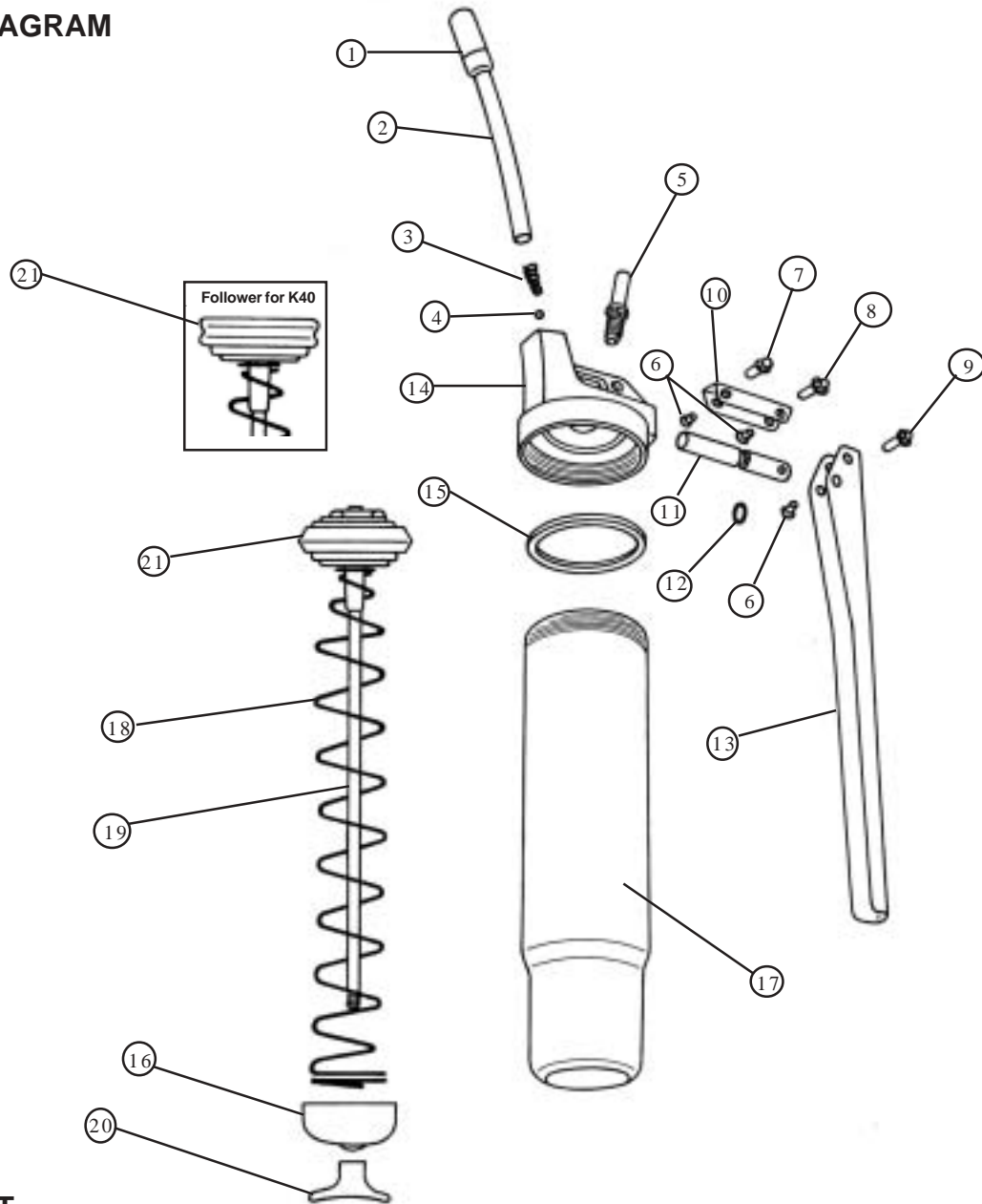


Fig 6

- C) Place the rod Pull Handle on a flat surface and push gun down firmly (see fig 6). Some grease will appear before air is expelled.
- D) After all the air has been expelled, gently push and turn the Follower Rod until it goes fully into the Barrel.

PARTS DIAGRAM



PARTS LIST

Item	K45(450g)		K40(400g)		Order For Replacement		Kit Ref	Description
	Part No	Part No	No Off	Part / Set	Part / Set			
				K27-2K	KF14A-2K	(B)	Follower Kit	
1	KY	KY	1	KY			COUPLER	
2	KD62	KD62	1					EXTENSION TUBE
3	KB22	KB22	1		KB15s	KB15s		BALL SPRING
4	N403	N403	1					7/32" STEEL BALL
5	KF85	KF85	1					FILLER BLEEDER
6	N550	N550	3					RETAINER SCREW
7	KL14	KL14	1					PIVOT PIN
8	KL16	KL16	1		KL18s	KL18s		PIVOT PIN
9	KL17	KL17	1					PIVOT PIN
10	KL18	KL18	1					HANDLE LINK
11	KL6	KL6	1					PLUNGER
12	BS011	BS011	1					O'RING
13	KL19	KL19	1		KL19s	KL19s		HANDLE
14	KL5	KL4	1	KL5s incl N161	KL4s incl N158		BODY	
15	N161	N158	1			B	SEAL WASHER	
16	KF26	KF26	1	KF110s	KF27s		END CAP	
17	KF111	KF27	1				BARREL	
18	KF104	KF104	1				FOLLOWER SPRING	
19	KF30	KF25	1	KF30s	KF25s		FOLLOWER ROD	
20	KB13	KB13	1				PULL HANDLE	
21	KP19	KF14A	1	order K27-2K	order KF14A-2K	B	FOLLOWER	

TROUBLE SHOOTING GUIDE

PROBLEM	CAUSE	REMEDY
1) Gun pumps little or no grease.	<p>A) Air lock – Follower stuck in cartridge.</p> <p>B) Air lock – Grease too thick or cold.</p> <p>C) Body outlet (14) ball seat dirty or damaged</p> <p>D) Worn or damaged Piston O-ring.</p>	<p>A) 1) Check condition of cartridge. Replace if damaged 2) "Lock" follower to rod (refer fig 4) and push follower into cartridge.</p> <p>B) 1) Consult grease supplier. 2) Store grease gun and grease away from extreme cold</p> <p>C) 1) Remove spring (3) and ball (4). 2) Disassemble, clean and inspect all components and replace as required</p> <p>D) 1) Remove handle (13). 2) Pull out plunger (11). 3) Replace O-ring (12).</p>
2) Grease leaks past follower.	<p>A) Follower (21) damaged or perished.</p> <p>B) Over filling gun when using filler pump</p>	<p>A) Replace follower (21).</p> <p>B) Stop pumping filler pump when groove on piston rod is visible at the back of barrel. (Refer to filling instructions.)</p>

WARRANTY POLICY

Macnaught Pty Ltd ("Macnaught") warrants that all Products manufactured by Macnaught and purchased after 1st of July 1999 will be free from any defects caused by faulty materials or workmanship for a period of (5) years from the date of purchase of the product, provided that during the Warranty period:

- 1) Macnaught receives notice setting out full details of any defect in any product and details of the time and place of purchase.
- 2) The Purchaser, at their own cost returns the product to the nearest authorized Macnaught service center.

For componentry contained in the product, (such as o'rings, seals, springs and hoses) which are subject to wear, the warranty period will be (12) months from the date of purchase of the product.

Macnaught shall, at its option repair or replace any product found defective by its inspection. This warranty does not cover failure of parts or components which, in the judgment of Macnaught, arises from misuse, abrasion corrosion, negligence, accident, substitution of non-Macnaught parts, faulty installation or tampering.

If Macnaught inspection discloses no defect in material or workmanship, repair or replacement and return will be made at customary charges.

Macnaught's liability and the purchaser's rights under this Warranty shall be limited to such repair or replacement and in particular, shall not extend to any direct, special, indirect or consequential damage or losses of any nature.

The foregoing warranty supersedes, voids and is in lieu of all or any other warranties.

"Note: This warranty does not form part of, nor does it constitute, a contract between Macnaught and the end-user or purchaser. It is additional to any warranty given by the seller of the products.

This warranty does not exclude, limit, restrict or modify the non-excludable rights or remedies conferred upon the end-user or purchaser, or the non-excludable duties or liabilities imposed on the seller or Macnaught, by Part V, Divisions 2 and 2A of the Trade Practices act 1974 (Commonwealth) or other legislative provisions. Macnaught otherwise excludes, to the extent permitted by law, any rights conferred on the end-user or duties or liabilities imposed upon it."



Macnaught Pty Ltd
 PO Box 90 Arncliffe NSW 2205 Australia
 Telephone (02) 9567 0401
 Facsimile (02) 9597 7773
 Email: sales@macnaught.com.au
 Web: www.macnaught.com.au